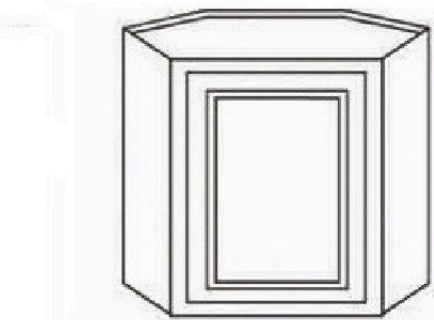


Wall Cabinets

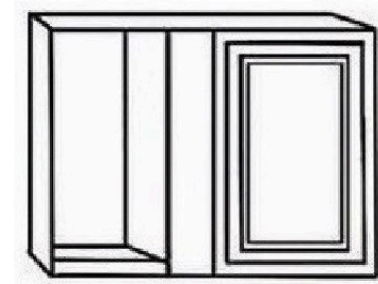
30" Height	36" Height	42" Height
W0930	W0936	W0942
W1230	W1236	W1242
W1530	W1536	W1542
W1830	W1836	W1842
W2130	W2136	W2142

Single Door
Need to know hinge direction for single door cabinets when ordering. Notated as HL or HR.



Diagonal Corner
(24" out of each corner)
WDC2430
WDC2436
WDC2442

***WEP panel must be used directly next to cabinet if using filler

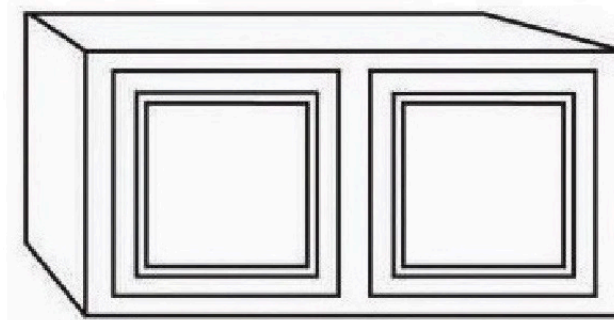


Wall Blind
(Cabinet can be pulled from 27" to 30")
WBC2730
WBC2736
WBC2742

*** Cabinet is 12 3/4" deep

Double Door Bridge

W2412	W2418	W2424
W3012	W3018	W3024
W3612	W3618	W3624
W3612-24	W3618-24	W3624-24
W2415	W2421	W3624
W3015	W3021	W3624-24
W3615	W3621	
W3615-24	W3621-24	

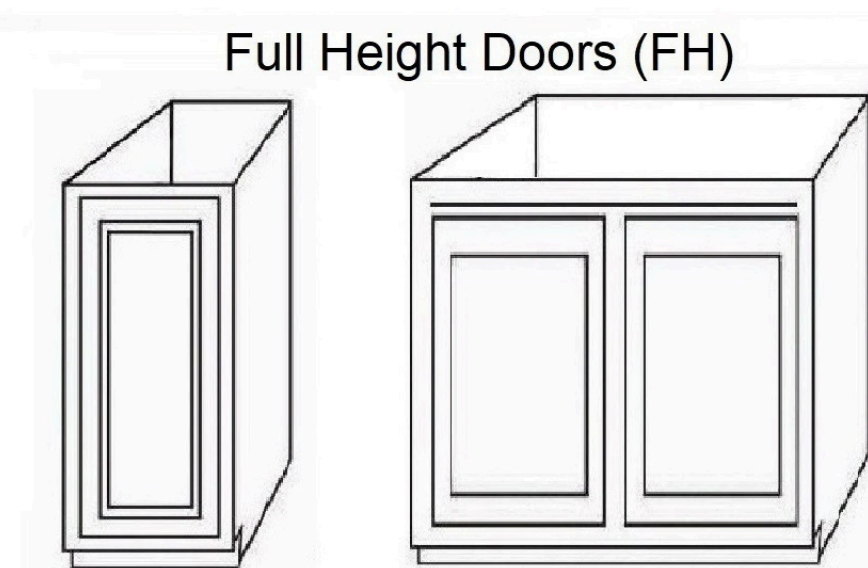


Single Door Bridge Available 09"-21" Widths in 3" Increments

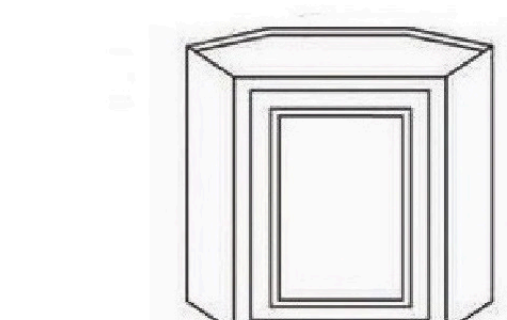
Please note: Sizes can be modified in 1" increments for a nominal upcharge
Single door: Minimum width 8" - Maximum width 21"
Double door: Minimum width 24" - Maximum width 39"
Height: Minimum 12" - Maximum 49"

***Any door can be upgraded to glass door for a nominal upcharge (except Slab)

Base, Drawer Base, Sink Base, & Miscellaneous Cabinets

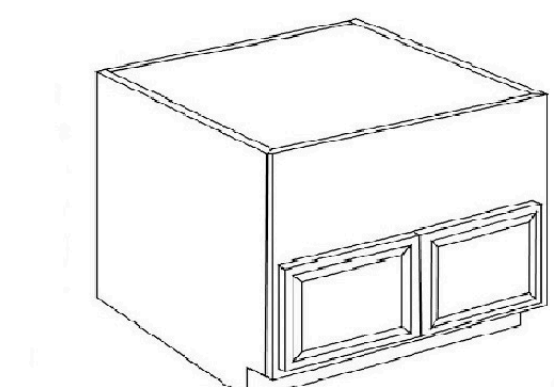


Single Door No Drawer	Double Door No Drawer
B09FH	B24FH
B12FH	B27FH
B15FH	B30FH
B18FH	B33FH
B21FH	B36FH

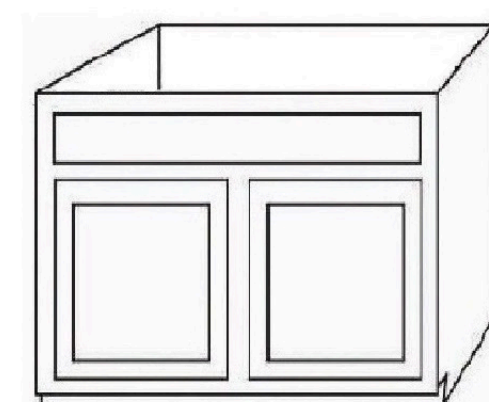


Diagonal Lazy Susan
(33" or 36" out of each corner)
DLS33 DLS36

*** Wood Racks
*** BEP panel must be used directly next to cabinet if using filler
*** Requires 3 3/4" space for door clearance next to any appliance more than 24 7/8" deep



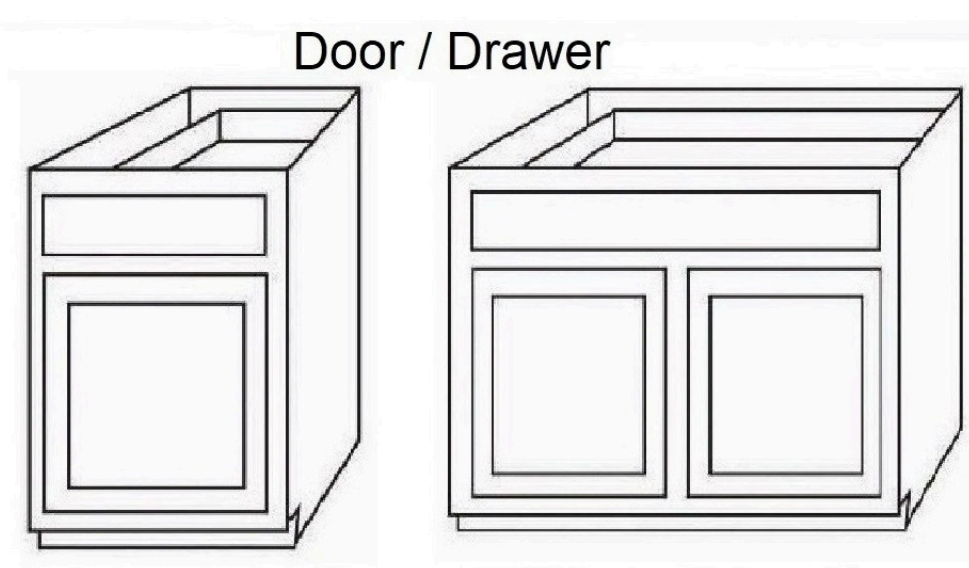
Farm Sink Double Door
FSB30
FSB33
FSB36



Single Front Double Door
SB24
SB27
SB30
SB33
SB36

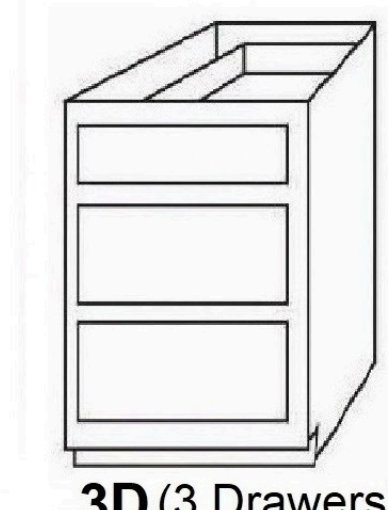
Please note sizes can be modified for a nominal upcharge within available minimums and maximums.
(Excluding DLS33, DLS36 & BBC42-45)
Specialty modifications are available for a design fee.
Please see an associate for assistance.

Need to know hinge direction for single door cabinets when ordering. Notated as HL or HR.

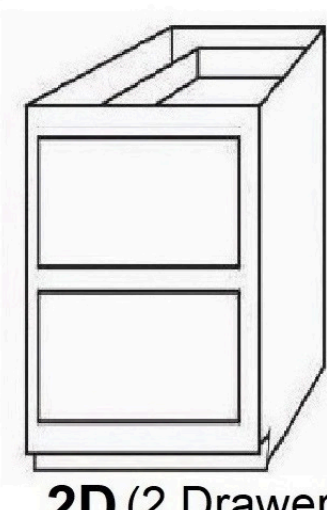


Single Door Single Drawer	Double Door Single Drawer
B12	B24
B15	B27
B18	B30
B21	B33
	B36

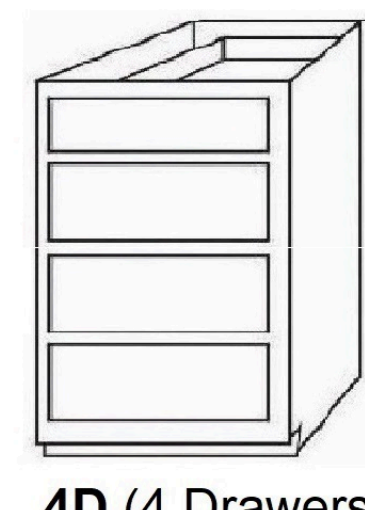
***Drawer width: Min - 10" & Max - 36"
***Drawer depth: Min - 15" & Max 24"
(Depth mods in 3" increments only)



3D (3 Drawers)



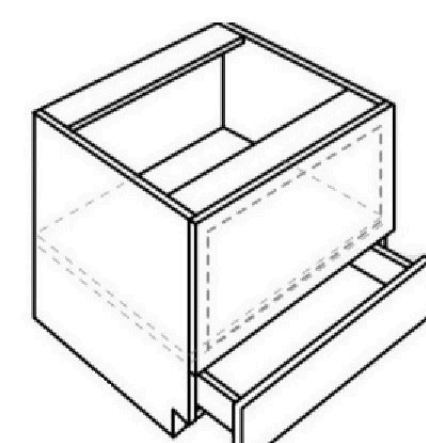
2D (2 Drawers)



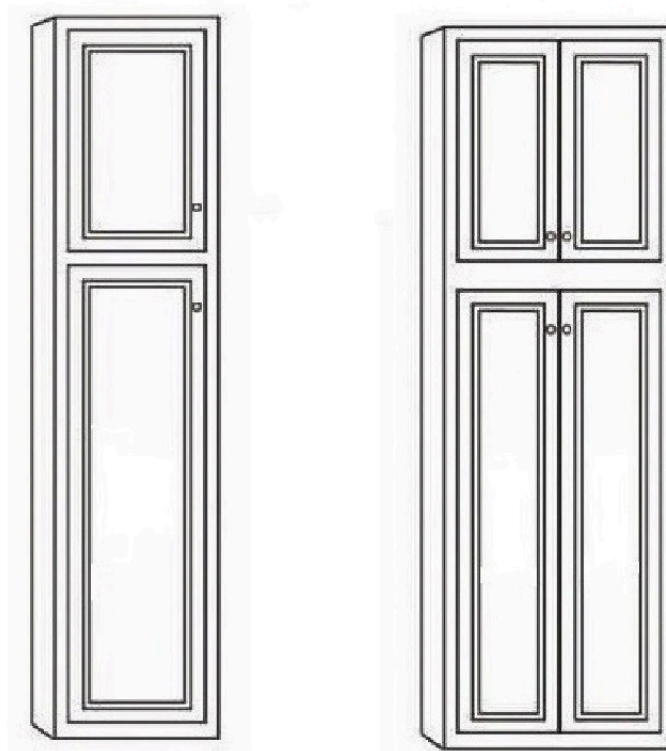
4D (4 Drawers)

Drawer Base

DB12	DB27
DB15	DB30
DB18	DB33
DB24	DB36

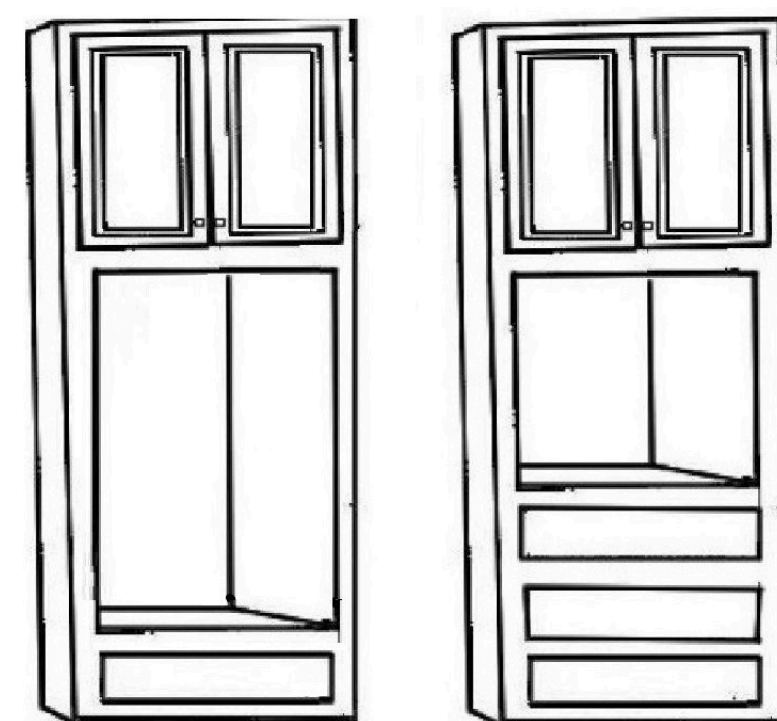


Microwave Base
MB30



Wall Pantries

Available:
Single Door Widths - 15", 18", 21"
Double Door Widths - 24", 27", 30"
Heights - 84", 90", 96"
Depths - 21", 24"



Double & Single Oven
Available:
Width - 33"
Height - 84", 90", 96"
***Center panel needs to be cut to fit & attached on site.
Single - panel height 32 3/4"
Double - panel height 52 3/4"

Accessories & Add-Ons

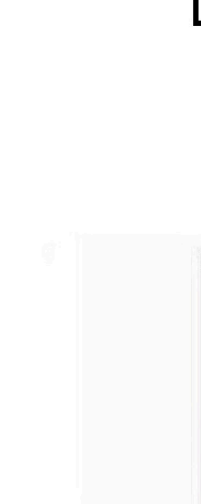


End Panels

*Required for exposed sides (3/4" Thick)

EPW30
EPW36
EPW42
EPB/DWP
EPV

EPWP84/REP
EPWP90/REP
EPWP96/REP
EPVWP84
EPVWP90
EPVWP96

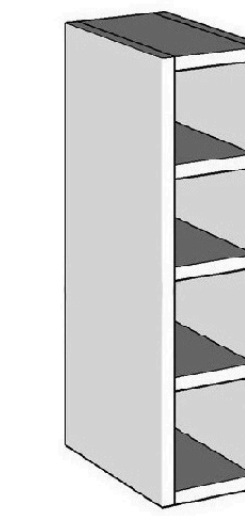


Wall Fillers

WF330 WF630
WF336 WF636
WF342 WF642
WF396 WF696

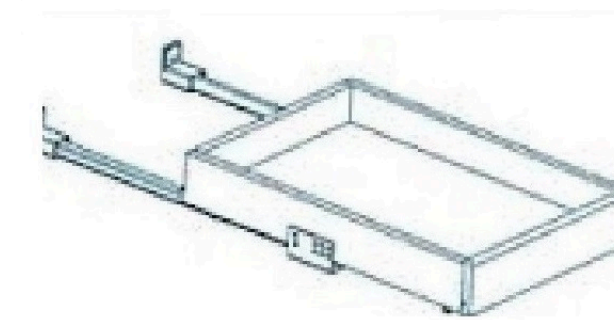
***Custom sizes are available upon request

(Matching laminate also available for SY, MO, CA, BE)



Wine Rack
WR630
WR636
WR642

Can be used vertical or horizontal for upper or base (floor to be made on site)



Roll Out Trays

RT15 RT27
RT18 RT30
RT21 RT33
RT24 RT36

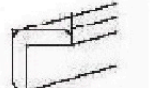


Crown Molding

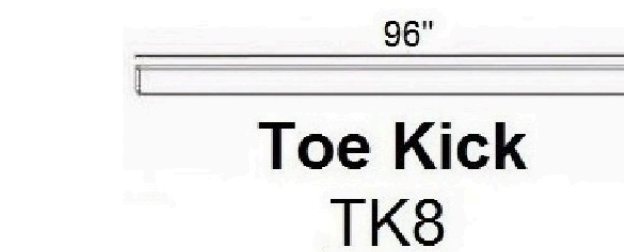
CM8 (Approx. 2-1/2" x 96")
LCM8 (Approx. 4-1/2" x 96")



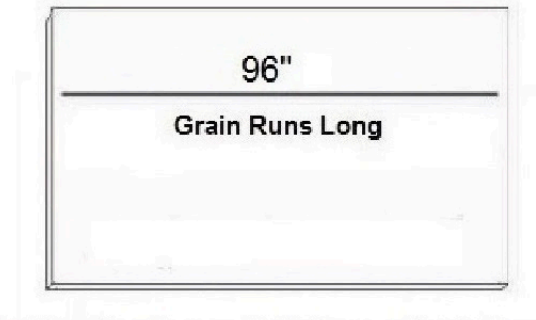
Scribe/Batten
1 1/4" W x 96"



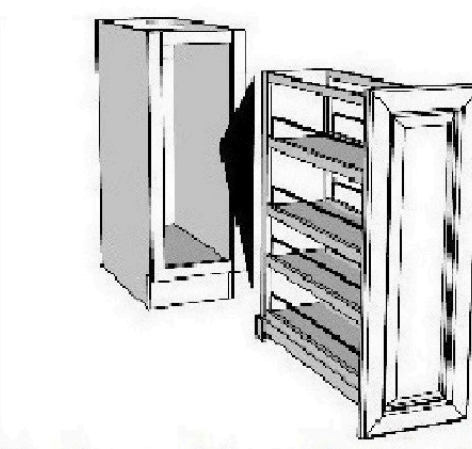
Outside Corner
OSC8
1" x 1" x 96"



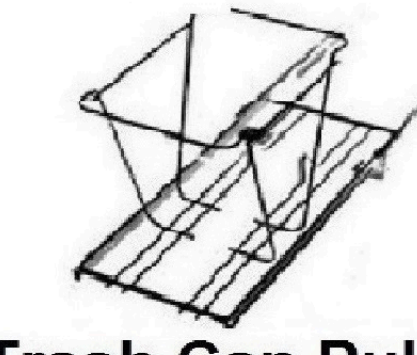
Toe Kick
TK8



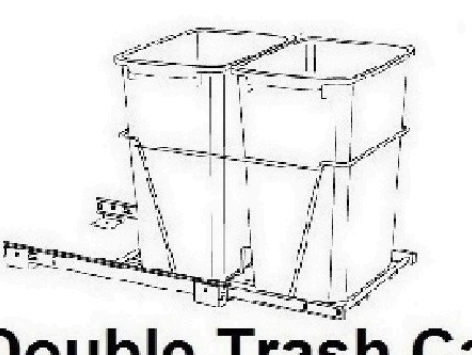
Finished Back Panel
Single Side Finished
FBP34 1/2" x 96"
FBP4' x 8'



Spice Rack Pull Out
6" Rack (Fits B09)



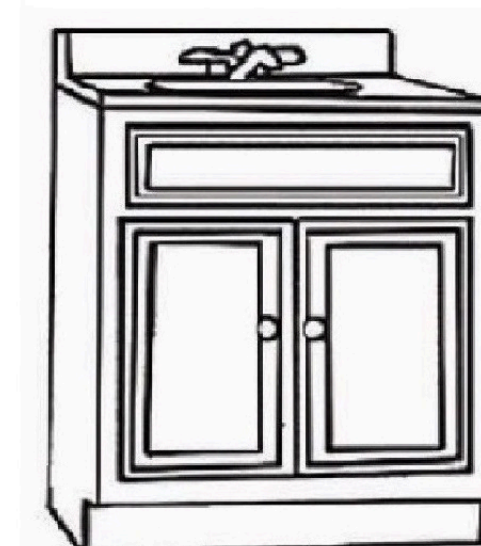
Trash Can Pull Out
Fits B15 & B18 Only
Includes Trash Can



Double Trash Can Pull Out
Fits B18 & B21 Only
Includes Trash Can

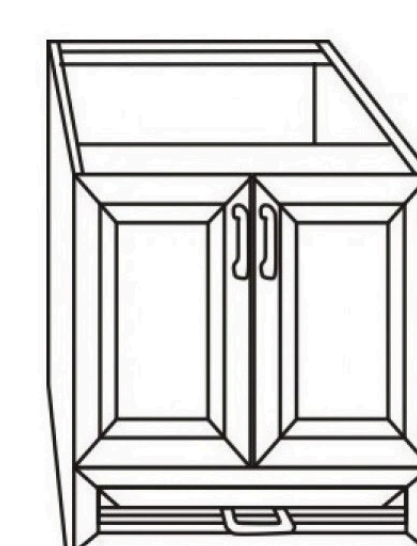
Vanity Cabinets

Vanities are 34 1/2" Height & 21" Depth



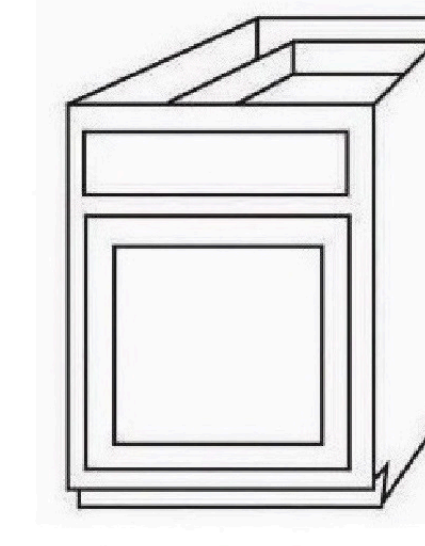
Single Front Double Door

V2421
V2721
V3021
V3321
V3621



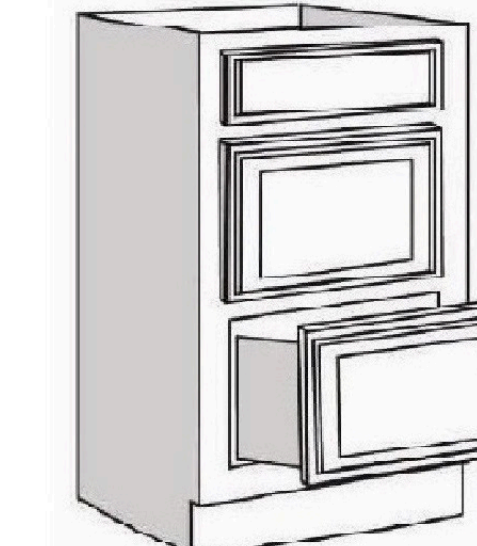
Double Door Single Drawer

V2421BD
V2721BD
V3021BD
V3321BD
V3621BD



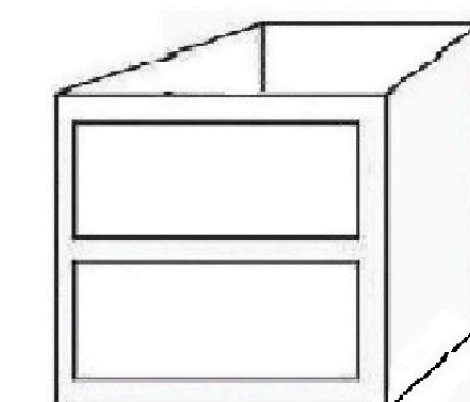
Single Door Single Drawer

VB12
VB15
VB18
VB21



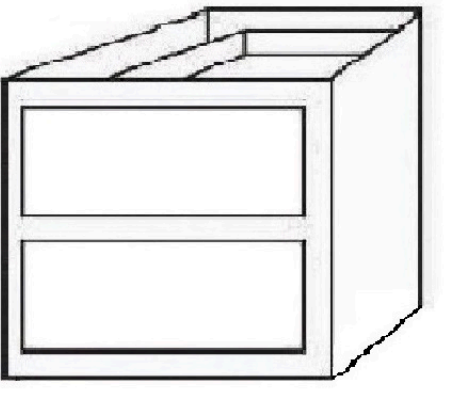
Vanity Drawer Base

VDB12
VDB15
VDB18
VDB21
VDB24



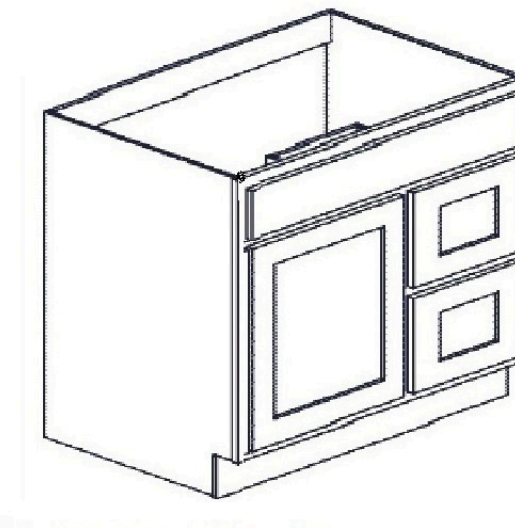
Floating Vanity

FV2421
FV2721
FV3021
FV3321
FV3621

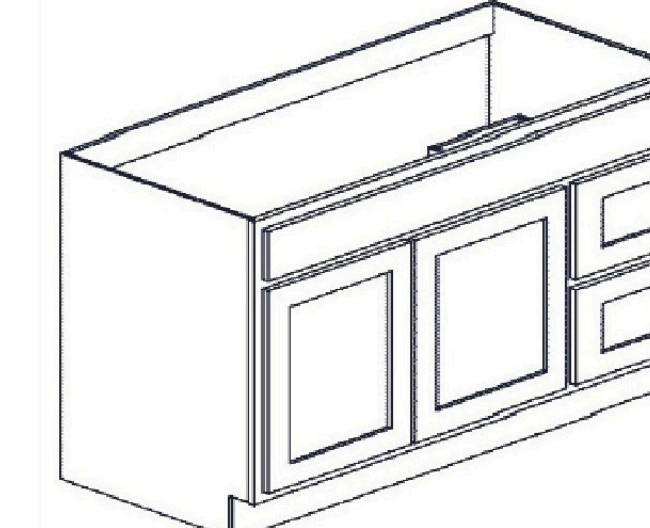


Floating Vanity Drawer Base

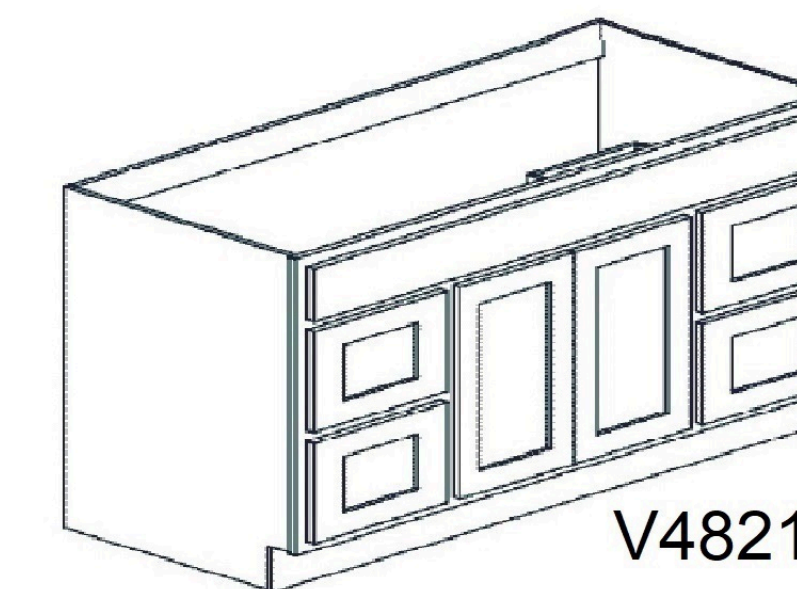
FVDB12
FVDB15
FVDB18
FVDB21
FVDB24



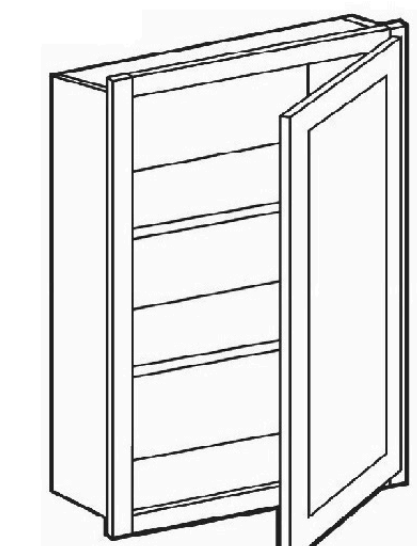
V3021D-R
V3321D-R (As Pictured)
V3021D-L
V3321D-L



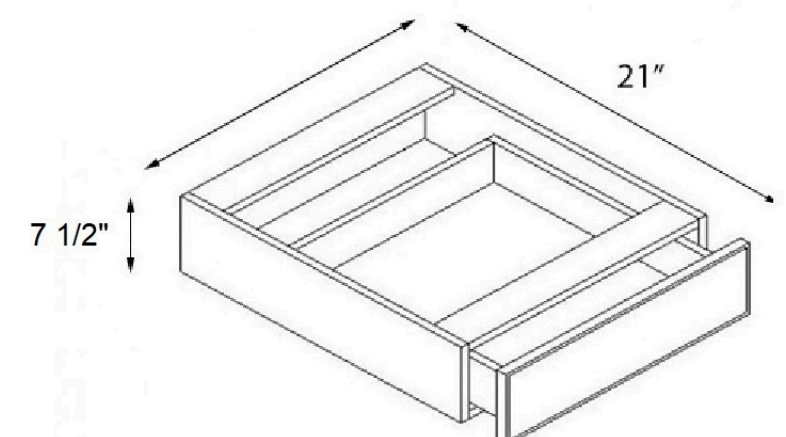
(As Pictured)
V3621D-R V3621D-L
V4221D-R V4221D-L



V4821D



Medicine Cabinet
21" x 30"



Vanity Desk Unit (Knee Drawer)

VDU24
VDU27
VDU30

Please note sizes can be modified for a nominal upcharge within available minimums and maximums.
(Excluding V3021D, V3321D, V3621D, V4221D, V4821D)
Specialty Modifications are available for a design fee.
Please see an associate for assistance.

Need to know hinge direction for single door cabinets when ordering. Notated as HL or HR.